

Model UFL Ultrafiltration Systems



UFL- 420



UFL- 440

The UFL Ultrafiltration systems are designed to remove colloidal material, particulates, cysts and bacteria. In addition, they substantially reduce the amount of viruses that may be present in potable water supplies. This same technology is now being used by municipal filtration plants to operate at lower costs and enhance water filtration efficiency in a small space.

The UFL systems are sized for point-of-use and point-of-entry applications and are available with a timed controller that automatically forward-flushes the cartridge to keep it clean.

The UFL systems utilize a patented, multi-bore ultrafiltration membrane, the first of a new era of revolutionary products that provide the latest innovations in reusable surface filtration technology. These units require minimal pretreatment, small installation space, and use very little water for cleaning. Recovery ratios of 98% or more are typical.

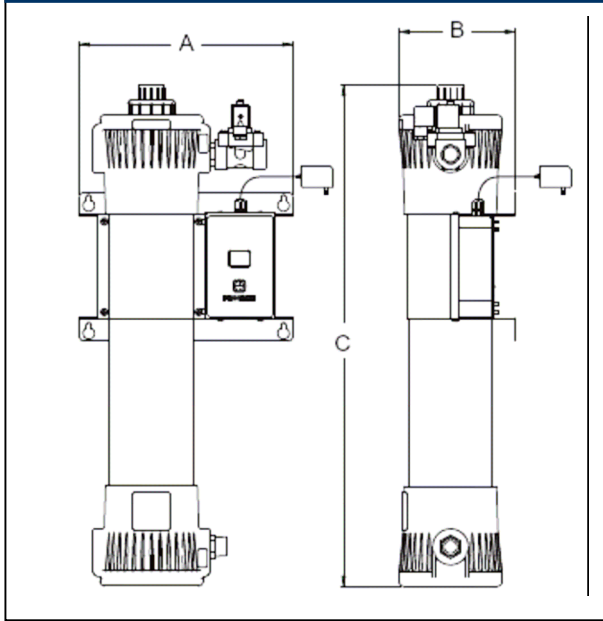
Features:

- Patented multi-bore ultrafiltration membrane technology.
- Removes bacteria from water (tested and verified by independent laboratory testing).
- Substantial reduction of viruses (tested and verified by independent laboratory testing).
- Easy to program.
- Intelligent system for self-cleaning.
- Durable membranes For long life.
- Perfect for residential use or OEM applications (NSF does not certify process water).



System Tested and Certified by NSF
International against NSF/ANSI
Standard 42 and 53 for the reduction of:
Standard No. 42: Aesthetic Effects
Nominal Particulate Reduction Class I
Standard No. 53: Health Effects
Cyst Reduction
Turbidity Reduction.

Dimensions



UFL – 420 Dimensions

A Width inches (cm)	B Depth inches (cm)	C Height inches (cm)	Operating Weight (w/ water) lbs (kg)	Min. Clearance above or below unit
11.5 (29.2)	6.0 (15.2)	28.0 (71.1)	28.0 (12.9)	19 in. 48.2 cm

UFL – 440 Dimensions

A Width inches (cm)	B Depth inches (cm)	C Height inches (cm)	Operating Weight (w/ water) lbs (kg)	Min. Clearance above or below unit
11.5 (29.2)	6.0 (15.2)	47.0 (119.3)	42.0 (19.0)	38 in. 96.5 cm

Specifications (Filter Cartridges)

Maximum Operating Pressure	100 psig (690 kPa)
Maximum Operating Temp.	104°F (40°C)
Maximum Trans Membrane Pressure	45 psi (3.1 bar)
pH Range	3-10
MWCO	100 kD

Capacity

Model	Gallons per minute (liters per minute)	Gallons per hour (liters per hour)
UFL-420	5 GPM (19 LPM)	300 GPH (1140 LPH)
UFL-440	10 GPM (38 LPM)	600 GPH (2280 LPH)

Electrical Ratings

Model	Voltage	Watts	Amps	Hertz
UFL-420 9700464	120	10	.08	60
UFL-420 9700466	230	10	.04	50
UFL-420 9700469	220	5	.02	50
UFL-440 9700474	120	10	.08	60
UFL-440 9700476	230	10	.04	50
UFL-440 9700479	220	5	.02	50

Plumbing Connection

Inlet	Outlet	Drain
1 inches NPT	1 inches NPT	3/4 inches NPT

Electrical Cord & Plug Configurations

Model & Mfg. No.	Description	Part Number
9700464 & 9700474	Transformer (120 VAC - 24 VAC)	0700665
9700466 & 9700476	Transformer - Euro plug (230 VAC / 24 VAC)	0700666
9700469 & 9700479	Transformer - China plug (220 VAC / 24 VAC)	0700683